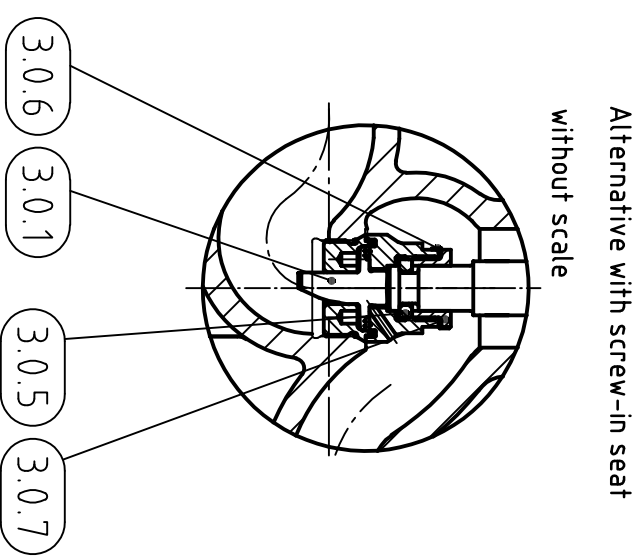
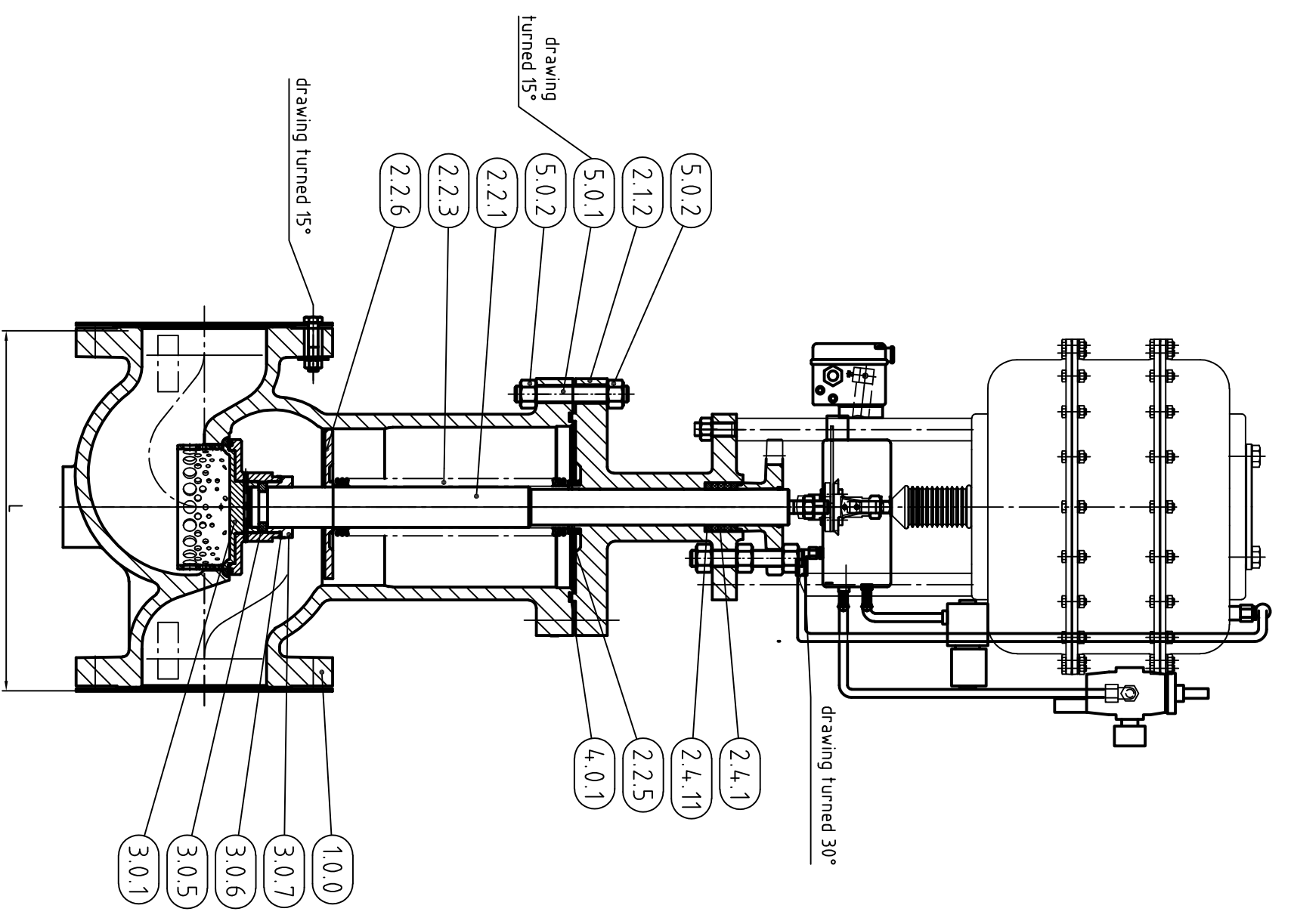


BSG-VALVE PN 16/40	
Size	Length L
DN15	130
DN20	150
DN25	160
DN40	200
DN50	230
DN80	310
DN100	350
DN125	400
DN150	480
DN200	600
DN250	730
DN300	850
DN350	980
DN400	1100

BSG-VALVE-GVF Class 300	
Size	Length L
1/2"	152
3/4"	178
1"	203
1.5"	229
2"	267
3"	318
4"	356
5"	400
6"	444
8"	559
10"	622
12"	711
14"	800
16"	980

BSG-VALVE-BVF Class 300	
Size	Length L
1/2"	140
3/4"	152
1"	165
1.5"	190
2"	216
3"	282
4"	305
5"	356
6"	406
8"	495
10"	622
12"	711
14"	800
16"	980

BSG-VALVE-GVF Class 150	
Size	Length L
1/2"	152
3/4"	178
1"	127
1.5"	165
2"	203
3"	241
4"	292
5"	356
6"	406
8"	495
10"	622
12"	698



	Standard	alternative materials	Standard	alternative materials	Standard	alternative materials
1.0.0 Body	1.6220/LCB/LCC	LC1 LF2	1.4408/CF8M	Hastelloy C276/2.4819 A995 Grade 4A/1.4470 CF3M 1.4404 1.4571	Seat Stellite 21	Seat Stellite 21
2.1.2 Bonnet	1.6220/LCB/LCC	1.0566 LC1 LF2	1.4408/CF8M	1.4401 Hastelloy C-276/2.4819 A995 Grade 4A/1.4470 CF3M 1.4404 1.4571	Seat hardfaced	Seat Stellite 21
2.2.1 Stem lower part	1.4571	2.4819	1.4571	2.4819	1.4571	2.4819
2.2.3 Bellows	2.4819	1.4571 2.4856	2.4819	1.4571 2.4856	2.4819	1.4571 2.4856
2.2.5 Bellows Connection Parts	2.4819	1.4571	2.4819	1.4571	2.4819	1.4571
2.4.1 Gland Packing	PTFE	Graphit	PTFE	Graphit	PTFE	Graphit
3.0.1 Plug	1.4571 soft sealing	1.6220 (1.0566) 2.4819	1.4571 soft sealing	1.6220 (1.0566) 2.4819	1.0460 soft sealing	2.4819 1.4571
3.0.5 Plug	1.4571 soft sealing	all plugs are hardfaced available	1.4571 soft sealing	all plugs are hardfaced available	1.0460 soft sealing	all plugs are hardfaced available
3.0.6 Plug	1.4571 soft sealing	all plugs are hardfaced available	1.4571 soft sealing	all plugs are hardfaced available	1.0460 soft sealing	all plugs are hardfaced available
3.0.7 Plug	1.4571 soft sealing	all plugs are hardfaced available	1.4571 soft sealing	all plugs are hardfaced available	1.0460 soft sealing	all plugs are hardfaced available
4.0.1 Gasket	1.4571/PTFE	2.4819/PTFE 1.4571/Graphit 2.4819/Graphit	1.4571/PTFE	1.4571/Graphit	1.4571/PTFE	1.4571/Graphit
5.0.1 Stud Bolts	A 320 Grade L7M - OC	DIN976 1.7225 GC OC A 193 Grade B7 - OC DIN 976 A4 - 70	A 320 Grade L7M - OC	DIN976 1.7225 GC OC A 193 Grade B7 - OC DIN 976 A4 - 70	A 320 Grade L7M - OC	DIN976 1.7225 GC OC A 193 Grade B7 - OC DIN 976 A4 - 70
5.0.2 Nuts	A 194 Grade 7 - OC A 194 Grade 7M - OC	EN ISO 4032 1.7218/KG OC A 194 Grade 2 H - OC DIN 934 A4 - 70	A 194 Grade 7 - OC A 194 Grade 7M - OC	EN ISO 4032 1.7218/KG OC A 194 Grade 2 H - OC DIN 934 A4 - 70	A 194 Grade 7 - OC A 194 Grade 7M - OC	EN ISO 4032 1.7218/KG OC A 194 Grade 2 H - OC DIN 934 A4 - 70

Alternative with screw-in seat  
without scale

Applicable Standards und Specifications	
WTA Specifications:	Q71 (OSV1.30) as per GEST 06/318 Q81 (OSV1.30) as per GEST 06/318
<b>BSG-Valve PN16/40</b>	
Face to Face:	EN 558 - FTF 1
Flanges:	EN 1092-1
<b>BSG-Valve-GVF Class 300</b>	
Rating:	ASME B16.34 Class 300
Face to Face:	ASME B16.10 Table 2 Col. 15
Flanges:	ASME B16.5 Class 300
<b>BSG-Valve-BVF Class 300</b>	
Rating:	ASME B16.34 Class 300
Face to Face:	ASME B16.10 Table 2 Col. 7 and 8
Flanges:	ASME B16.5 Class 300
<b>BSG-Valve-GVF Class 150</b>	
Rating:	ASME B16.34 Class 150
Face to Face:	ASME B16.10 Table 1 Col. 15
Flanges:	ASME B16.5 Class 150
<b>BSG-Valve-BVF Class 150</b>	
Rating:	ASME B16.34 Class 150
Face to Face:	ASME B16.10 Table 1 Col. 18
Flanges:	ASME B16.5 Class 150

02 Table Class 50 BVF deleted, other tables revised  
01 Drawing revised  
01 Drawing/Revision

**WTA**  
W.T.A. / WTAH  
Veränderung Str. 5  
85729 Rev. 02 | 15

20.02.2020/VNell  
25.10.2017/VNell

Scaling surface data: EN 970/ASME B8.5  
Scaling surface finish: EN 970/ASME B8.5

All rights reserved and by WTA