

ITEM	QTY	PART NAME
1	1	BODY
2	1	BONNET
3	1	DISC
4	/	DISC SEAT
6	/	BODY SEAT
7	1	DISC NUT
8	1	TWO-PART WASHER
9	1	STEM
10	1	UPPER END
11	1	LOWER END
12	1	BELLOWS
14	1	PACKING GLAND
15	1	GLAND FLANGE
17	1	STEM GUIDE
19	2	PILLAR
20	1	YOKE SUPPORT
21	1	YOKE
23	1	HANDWHEEL
31a	1	BODY GASKET
31b	1	METAL GASKET
32	4	PACKING
33	4	BODY STUD
34	2	GLAND STUD
36a	8	NUT (For DN1" to DN2")
36b	6	NUT
36c	4	NUT
39	1	DRIVING KEY
40	1	PIN
41	2	LUBRICATOR
42	1	NAME PLATE
43	1	LOCK WASHER
44	1	HANDWHEEL NUT
45	N/A	NEEDLE BEARING (For DN1")
	1	NEEDLE BEARING (For DN1"1/2 & DN2")
47	2	WASHER
51	2	O-RING
96	2	POSITION INDICATOR
129	1	HANDWHEEL COVER
177a	1	THRUST PLATE
177b	N/A	THRUST PLATE (For DN1")
	1	THRUST PLATE (For DN1"1/2 & DN2")

N/A : Not Applicable

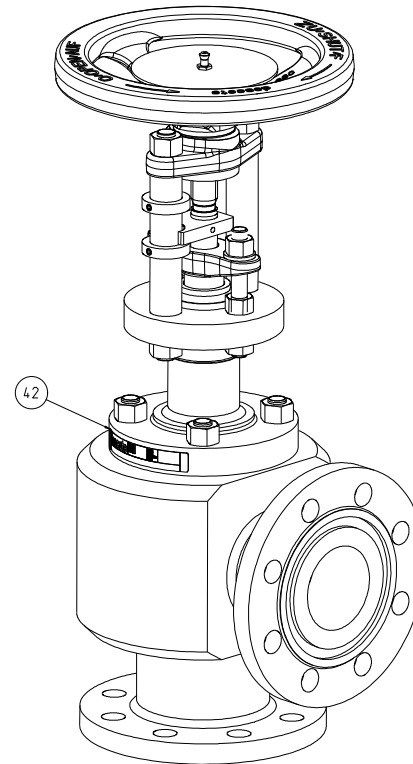
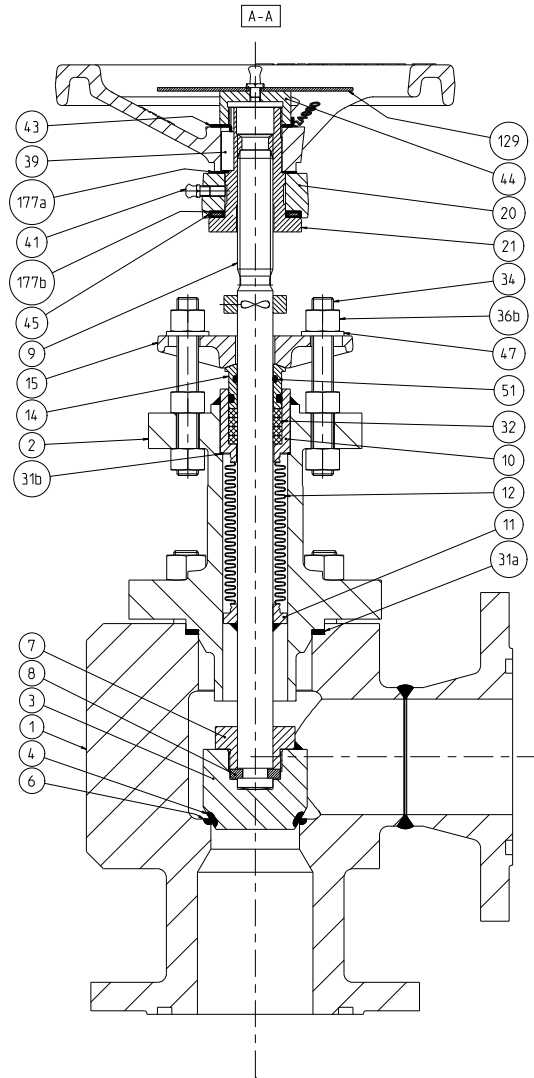
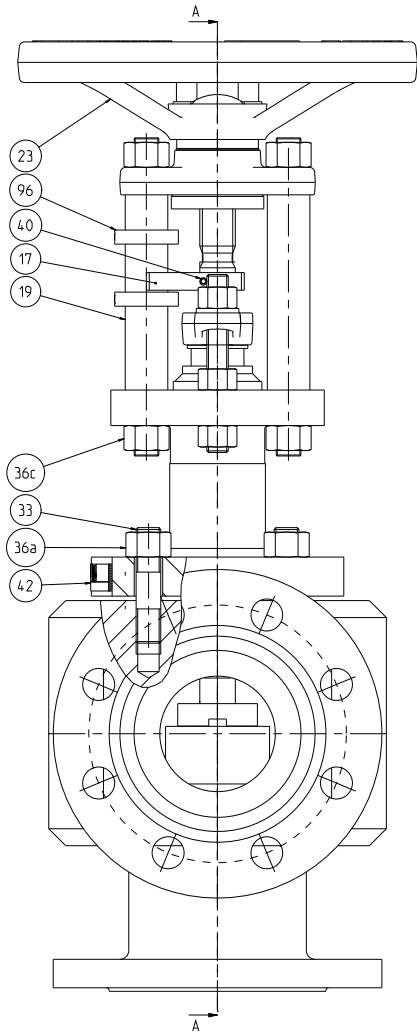
CUSTOMER APPROVAL		DATE	REV	
BARA	JULLIA	USE OF NUTS ON BODY DN1"	04/08/20	B
BARBE	VILHELM	INITIAL ISSUE	27/10/19	A
		REVISIONS	DATE	REV

DATE: **DRAWN** **CHECKED**
 MODELE: 2100B DN: - 2100B FORGED MANUAL VALVE
 TYPE: 22/25/26 PN: - EUROCHLOR GEST 17/492 APPROVED
 W : weight ENDS: ALL types DN1" to DN2" - Class150/300 - PN16/25/40

Internal Ref.: GEST 17/492
 Part list : 9, avenue Jean JAURES Tel: +33 4 72 89 25 00
 69320 FEYZIN - FRANCE Fax: +33 4 72 89 25 25
 e.mail: infodescote.com

732501

THIS DRAWING IS THE PROPERTY OF descote. REPRODUCTION OR DISTRIBUTION OF THIS DRAWING WITHOUT THE WRITTEN PERMISSION OF descote IS STRICTLY PROHIBITED.



ITEM	QTY	PART NAME
1	1	BODY
2	1	BONNET
3	1	DISC
4	/	DISC SEAT
6	/	BODY SEAT
7	1	DISC NUT
8	1	TWO-PART WASHER
9	1	STEM
10	1	UPPER END
11	1	LOWER END
12	1	BELLOWS
14	1	PACKING GLAND
15	1	GLAND FLANGE
17	1	STEM GUIDE
19	2	PILLAR
20	1	YOKE SUPPORT
21	1	YOKE
23	1	HANDWHEEL
31a	1	BODY GASKET
31b	1	METAL GASKET
32	4	PACKING (From DN1" to DN4")
	5	PACKING (For DN6")
33	4	BODY STUD (From DN1" to DN2")
	8	BODY STUD (From DN3" to DN6")
34	2	GLAND STUD
36a	4	NUT (From DN1" to DN2")
	8	NUT (From DN3" to DN6")
36b	6	NUT
36c	4	NUT
39	1	DRIVING KEY
40	1	PIN
41	2	LUBRICATOR
42	1	NAME PLATE
43	1	LOCK WASHER
44	1	HANDWHEEL NUT
	N/A	NEEDLE BEARING (For DN1")
45	1	NEEDLE BEARING (From DN1 1/2 to DN2")
	2	NEEDLE BEARING (From DN3" to DN6")
47	2	WASHER
51	2	O-RING
96	2	POSITION INDICATOR
129	1	HANDWHEEL COVER
177a	1	THRUST PLATE (From DN1" to DN2")
	N/A	NEEDLE BEARING (For DN1")
177b	1	THRUST PLATE (From DN1 1/2 to DN2")
	2	THRUST PLATE (From DN3" to DN6")

N/A : Not Applicable

OTHER CONFIGURATIONS :
 2100BEAT ACTUATED ON/OFF ANGLE VALVE
 2100BEAC CONTROL ON/OFF ANGLE VALVE

CUSTOMER APPROVAL					
DATE:		DATE:		DATE:	
MODELE: 2100BE DN: -		2100BE MANUAL ANGLE VALVE			
TYPE: 22/25/26 PN: -		EUROFLOR GEST 17/492 APPROVED			
W: -		DN1" to DN6" - Class150/300 - PN16/25/40			
Norme NF: -		ENDS: All types			
GES: 17/492					
Part No: -					
Nomenclature					

732505